

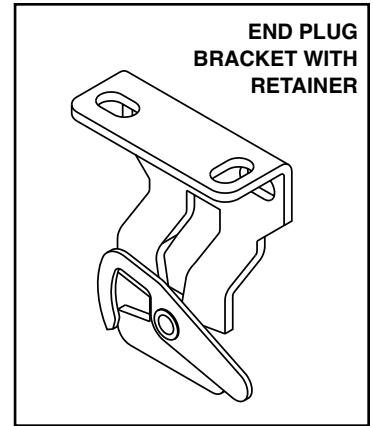
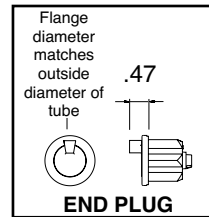
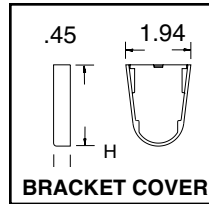
**360/380/560/580 BRACKET
WALL or INSIDE MOUNT**

**360/380/560/580 BRACKET
CEILING MOUNT**

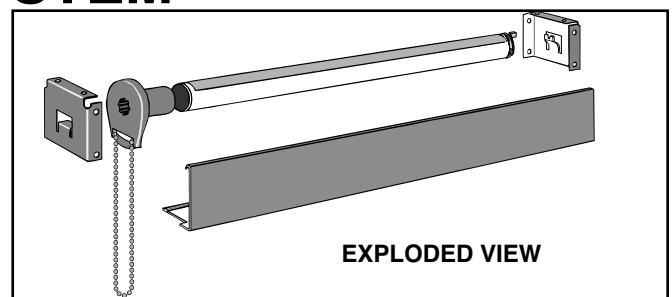
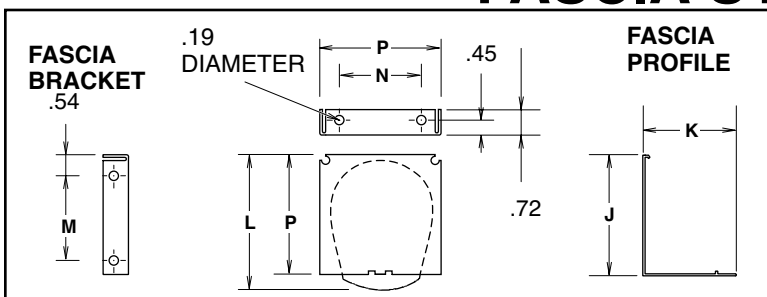
**RBGAL BRACKET
WALL or INSIDE MOUNT**

**RBGAL BRACKET
CEILING MOUNT**

CLUTCH MODEL	BRACKET MODEL	A	B	C	D	E	F	G	H
R3	360	2.24	1.5	1.06	1.5	0.28	1.82	1.48	2.19
	380	2.74	2.0	1.06	1.5	0.28	1.82	1.48	2.70
R8	360	2.48	1.5	1.06	1.5	0.28	2.35	1.95	2.19
	380	2.98	2.0	1.06	1.5	0.28	2.35	1.95	2.70
R16	560	2.95	1.62	2.0	2.5	0.31	3.21	2.65	N/A
	580	3.45	2.12	2.0	2.5	0.31	3.21	2.65	N/A
	RBGAL	3.56	2.25	1.75	3.0	0.60	3.21	2.65	N/A
R24	580	3.91	2.12	2.0	2.5	0.31	4.29	3.58	N/A
	RBGAL	4.06	2.25	1.75	3.0	0.60	4.29	3.58	N/A



FASCIA SYSTEM



CLUTCH MODEL	BRACKET MODEL	FASCIA HEIGHT	J	K	L	M	N	P
R8	361	3 IN	3.06	2.28	3.31	2.08	1.93	3.00
R16	561	3 IN	3.06	2.28	3.35	2.08	1.93	3.00
R24	581	4 IN	4.06	2.78	4.50	3.08	2.93	4.00