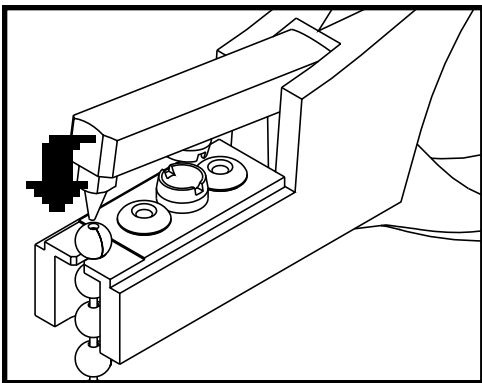
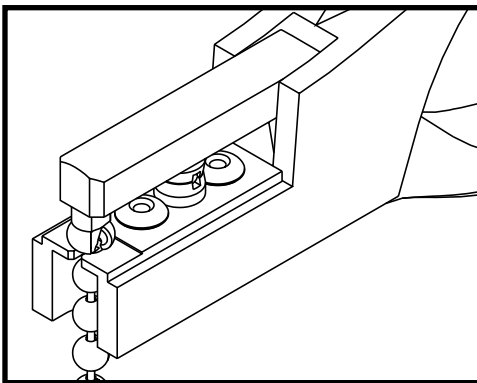


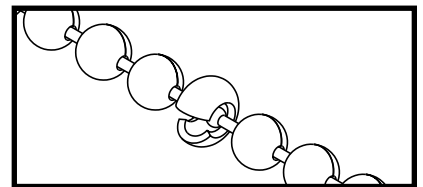
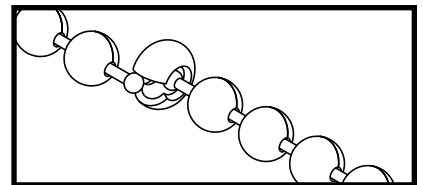
1. Cut a length of chain **twice** the length of the final loop.



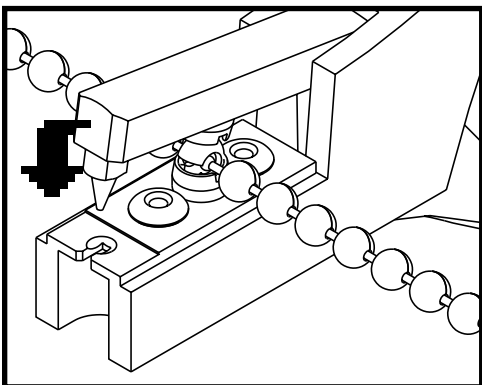
2. Using the spike on the bead chain pliers open the bead on one end of the chain and discard the opened bead.



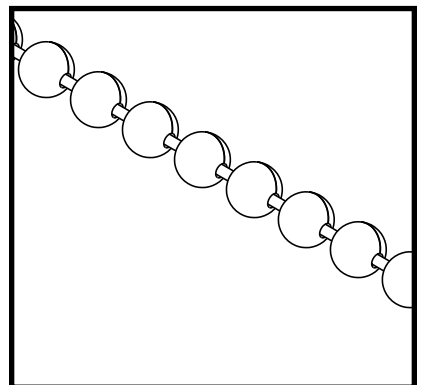
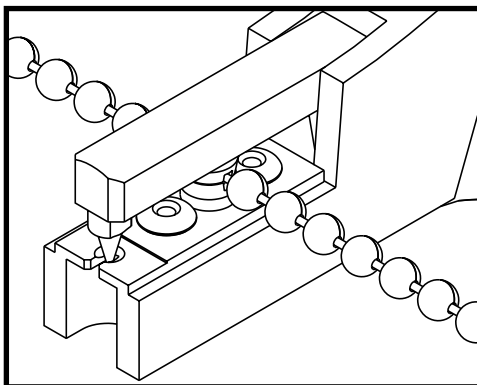
3. In the same manner, open but **do not remove** the bead on the other end of the chain.



4. Insert the post on the first end of the chain into the open bead.



5. Close the bead using the jaws on the bead chain pliers.



6. Your chain is now complete.