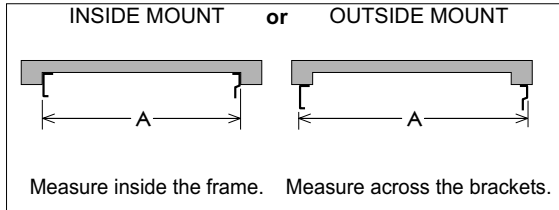


# F A B R I C A T I O N

**1. CALCULATE THE EXACT WIDTH OF A SHADE - DIMENSION "C"**

a. Measure dimension ("A"), the distance between the outside of the brackets.

b. Subtract dimension ("B"), the amount of room taken up by the clutch, end plug and brackets.

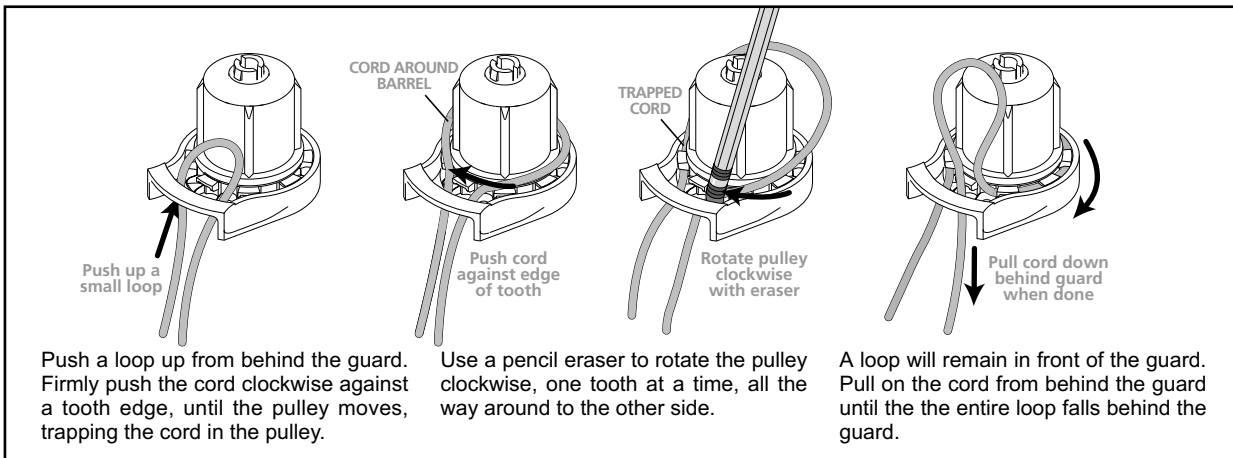


CLUTCH MODEL	DIMENSION B
R3 or R8 clutch	1 1/16"
R16 or R24 (no adapters)	1 3/16"
R16 or R24 (2" adapters)	1 5/16"

Use the formula: **A - B = C** For example: If measurement "A" is 38", and you're using a R16 clutch, "B" is 1 3/16"...  $38" - 1 \frac{3}{16}" = 36 \frac{13}{16}"$  "C" =  $36 \frac{13}{16}"$ .

**2. CUT BOTH SHADE CLOTH AND TUBE TO DIMENSION "C".** Peel the yellow plastic backing from the sticky tape and affix the cloth to the tube and roll up the shade. Take care to adhere the cloth straight onto the tube so the shade rolls up evenly.

**3. INSTALL THE BEAD CHAIN OR CONTROL CORD INTO THE CLUTCH.**



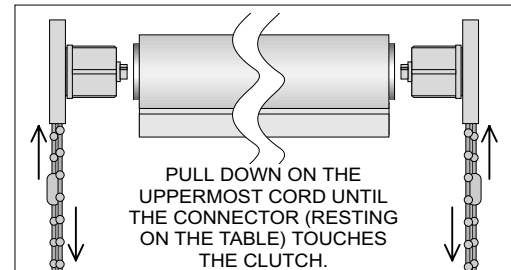
**4. IF USING 2" TUBE, INSERT ADAPTERS.** The adapters must be inserted into the tube before the clutch and plugs are inserted.

**5. IF USING PLASTIC BEAD CHAIN, POSITION THE PLASTIC CONNECTOR AS THE UPPER SHADE STOP.**

Decide which end of the tube you want to put the clutch in. Keep track of which is the "clutch end" of the tube.

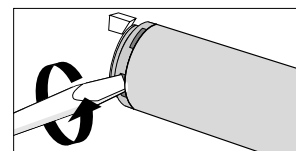
Roll the shade all the way up and lay it on the work table so it looks like this , and not like this .

Point the clutch into "its" end of the tube, and pull on the upper chain until the connector touches the clutch firmly. (Do not attach the lower plastic stop, or any stops on metal bead chain, until installing the shade.)



**6. INSERT THE CLUTCH AND END PLUG INTO THE TUBE.**

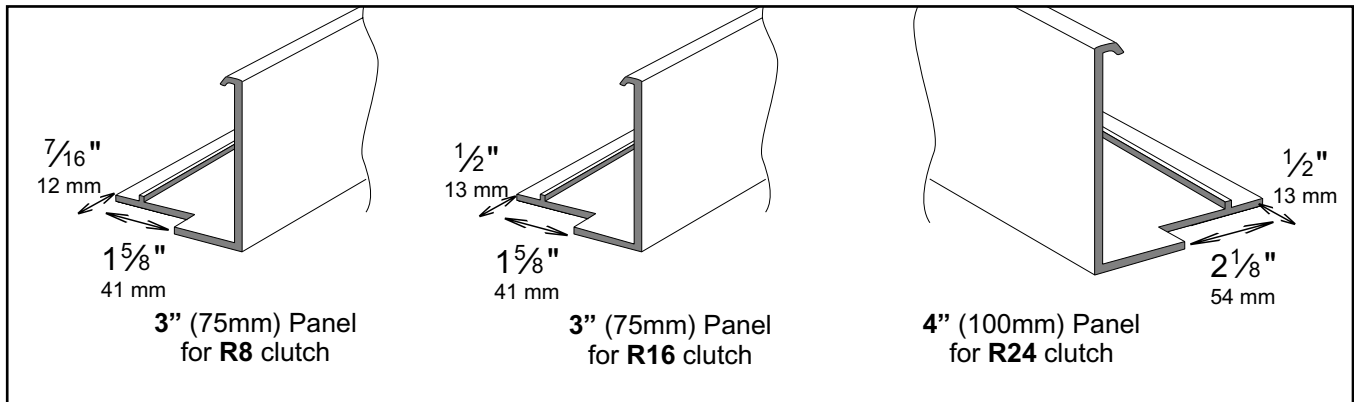
**IMPORTANT:** To remove the clutch or end plug from the tube, gently twist a screwdriver in one or more of the slots between the plastic part and the metal tube. **DO NOT PULL** the parts out; you might break them. Only pry them gently. If the clutch is on the left end of the shade, reverse the bracket positions, left for right.



## Fascia Panel

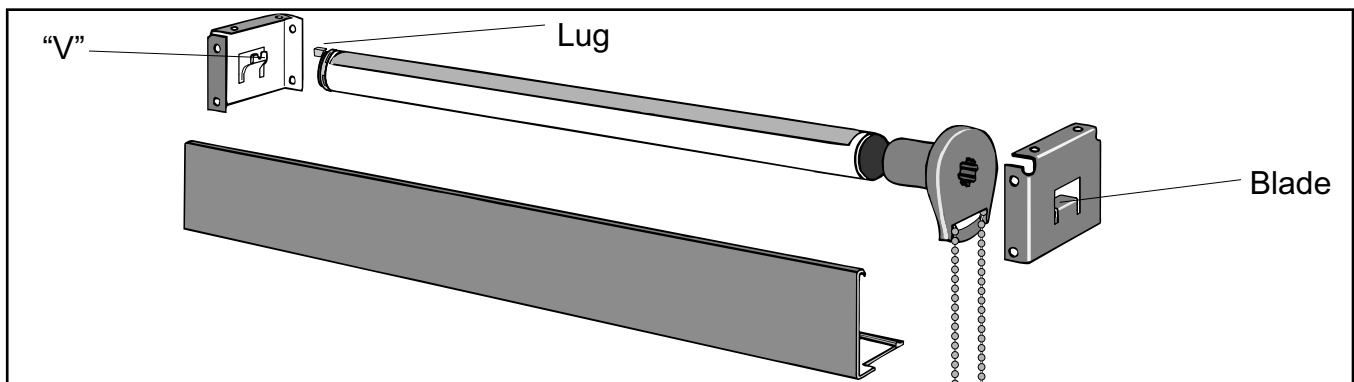
## RollEase Roller Shade - Fascia Fabrication/Installation Instructions

- CUT FASCIA PANEL TO DIMENSION "A" as calculated in step 1, over.
- CUT AN OPENING IN THE BOTTOM OF THE CLUTCH END OF THE FASCIA PANEL. DEBURR THE CUT EDGES. The clutch bottom and control cord will fit through this opening. The openings for the R8 and R16 clutches are shown for left-hand control. The opening for the R24 clutch is shown for right-hand control.



# INSTALLATION

- MOUNT THE BRACKETS.** The open end of each bracket faces downward, as shown in the drawing below. **NOTE:** If you have an inside mount and must use "inside mount holes," you will have to drill your own holes in the side of the bracket. Use at least two screws per bracket, and make sure that the screw heads clear the clutch.



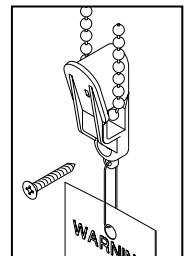
- INSTALL THE SHADE.** Push the clutch straight onto the blade of its bracket. The bottom of the clutch should always point straight down, as shown above. Lower the lug of the end plug onto the "V" of its bracket. The roller should fit in the brackets securely, with just a little play.
- ATTACH STOPS TO METAL OR PLASTIC BEAD CHAIN.** For plastic bead chain: use connector for top stop and attach another connector for lower stop. For metal bead chain: attach a metal stop ball at least 5/16" (8 mm) in diameter so that it touches the clutch when the shade is rolled all the way up. For both kinds of bead chain, lower the shade to sill or floor height, and snap the appropriate metal stop or plastic connector on the opposite side from the stop, so that the shade cannot be lowered beyond that point.

### 4. INSTALL THE TENSION DEVICE

The Tension Device reduces the hazards of strangulation and entanglement of young children by limiting access to the control cord. Anchor the Tension Device, that is attached to the shade's control cord or bead chain, to the window frame or wall, so that young children cannot pull the cord or bead chain around their necks.



- Lower the shade.
- Hold the Tension Device upright so the Warning Tag hangs straight down as shown in diagram.
- Position the Tension Device on the window frame or the wall so that the Tension Device and control cord do not interfere with raising or lowering the shade. **The Tension Device should be installed without stretching or pulling down on the control cord. Stretching the cord will cause excessive wear. Do not twist or cross the control cord.** If using stop balls on bead chain, position the tension device 1/4 inch higher to allow the stop ball to pass thru the tension device.
- Holding the Tension Device upright, and in position, as shown, insert and secure the screw through the hole. **The mounting screw must be secured into a solid surface or molly.**



- USE THE CONTROL CORD OR BEAD CHAIN TO OPERATE THE SHADE.** Pulling gently on one side of the control cord or bead chain raises the shade; pulling down on the other side lowers it.