

Brackets & Covers (Projection in inches)

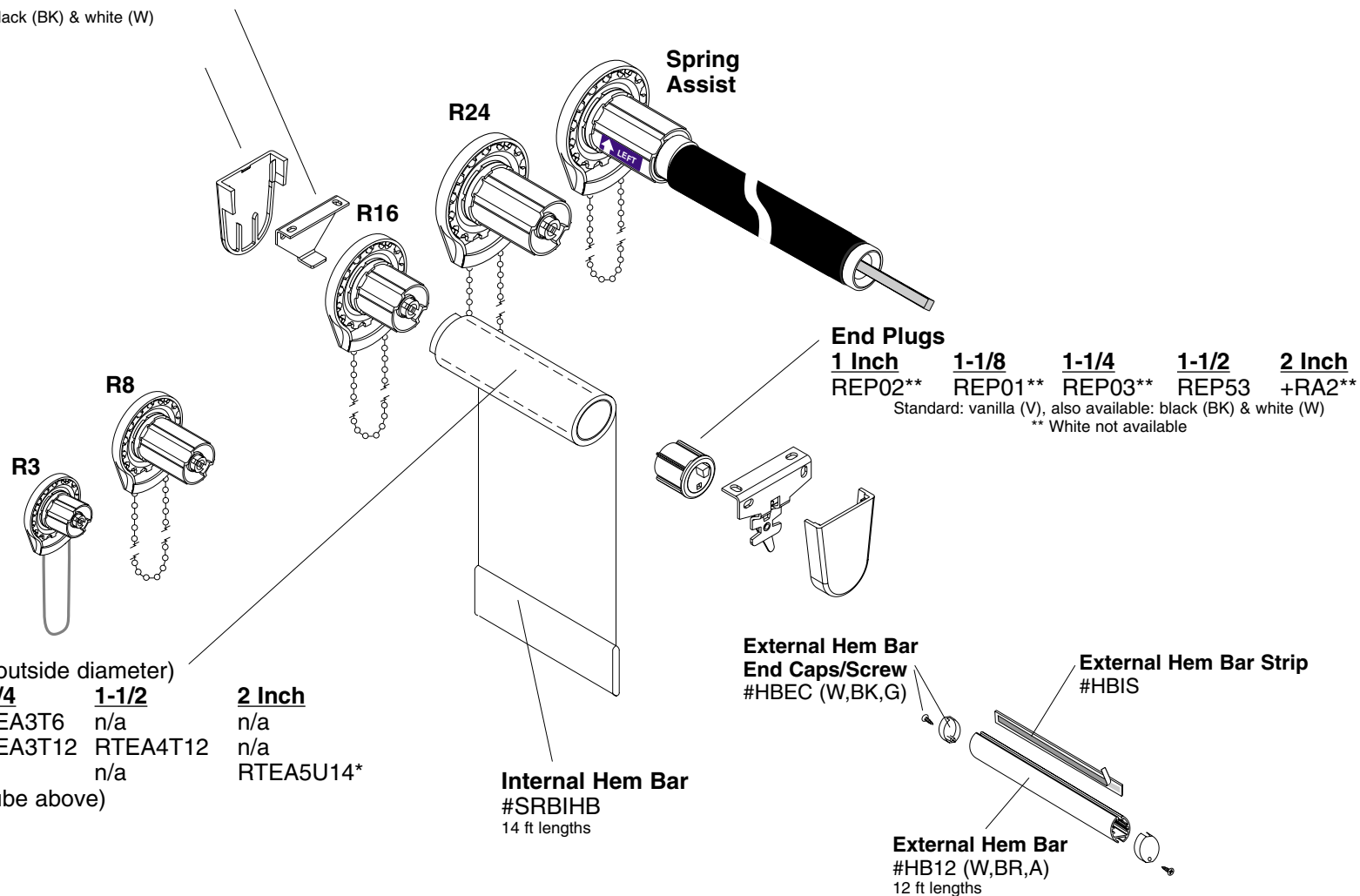
	<u>1.5" Projection</u>	<u>2 Inch</u>
R3/R8	RB360*	RB380*
R3/R8 Bkt Cover	RBPC360(BK,W)	RBPC380(BK,W)
R16	RB560*	RB580*
R24	n/a	RB580*

*Standard: nickel plated, also available: black (BK) & white (W)

Clutch Part Numbers

Tube:	<u>1" Tube</u>	<u>1-1/8"</u>	<u>1-1/4"</u>	<u>1-1/2"</u>	<u>2"</u>
R-3	R3C02*	R3C01*	n/a	n/a	n/a
R-8	R8C02*	R8C01*	R8C03*	R8C14*	+RA2**
R-16	n/a	n/a	n/a	R16C53*	+RA2**
R-24	n/a	n/a	n/a	R24C53**	+RA2**
Spring Assist	n/a	n/a	n/a	SA24(R/L) (36/45)	+RA2**

*Standard: vanilla (V), also available: black (BK) & white (W)
** White not available



	<u>1 Inch</u>	<u>Extruded Tube (outside diameter)</u>			<u>2 Inch</u>
		<u>1-1/8</u>	<u>1-1/4</u>	<u>1-1/2</u>	
6'	RTEA1T6	RTEA2T6	RTEA3T6	n/a	n/a
12'	RTEA1U12	RTEA2U12	RTEA3T12	RTEA4T12	n/a
14'	n/a	n/a	n/a	n/a	RTEA5U14*

*Tape: #TAPE36 (for taping 2 inch tube above)

